

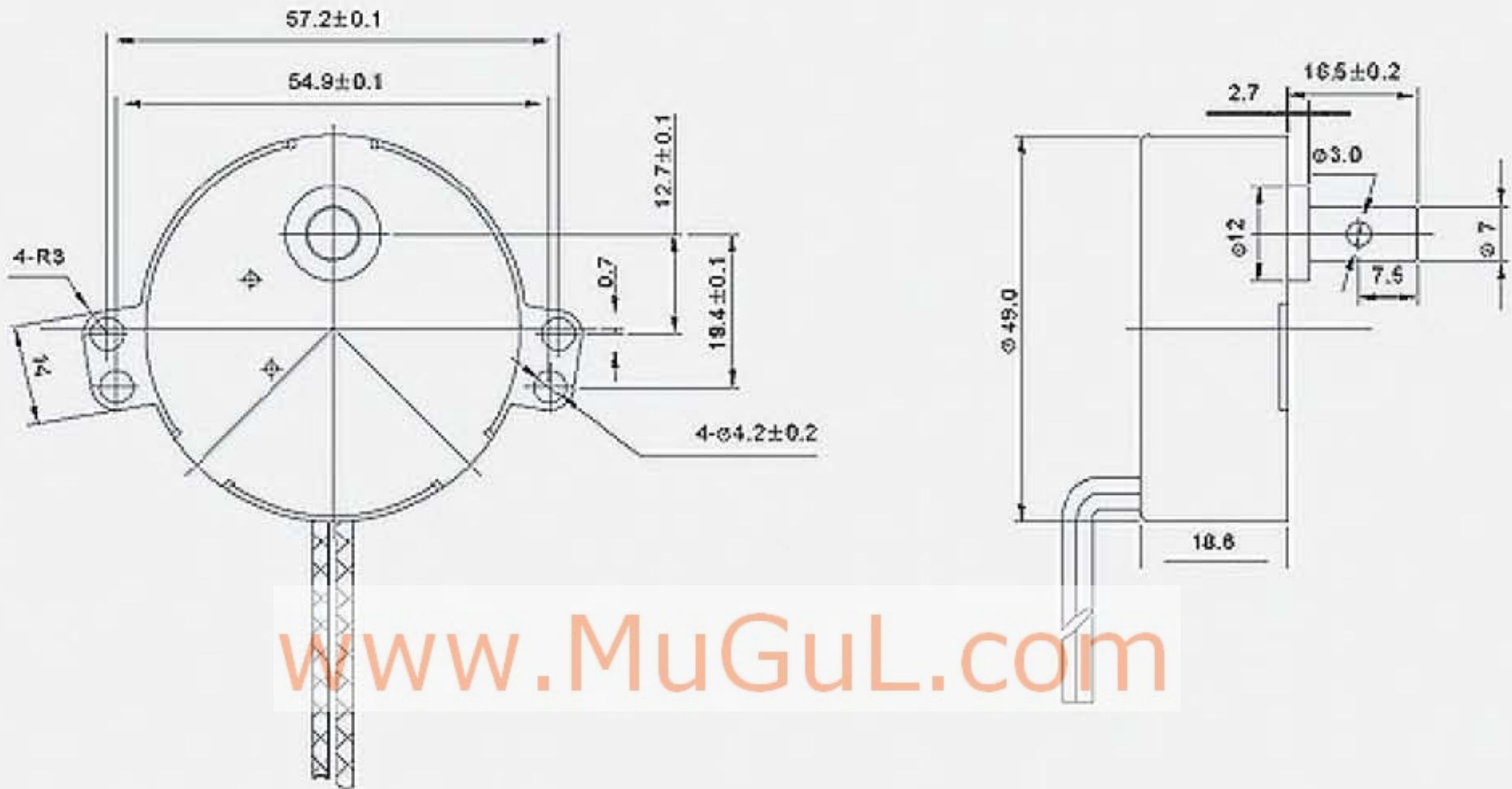
AC SYNCHRONOUS MOTOR

MG 50x

- **Application:**
Household Electrical Appliances/ Laminator
Auto Control Machine/ Spotlight/Fan



- **Dimensions** www.MuGuL.com



www.MuGuL.com

● Motor Specifications

Rated voltage	AC6V, 12V, 24V, 100V, 110V/125V, 220V/240V.						
Rated frequency	50/60Hz						
Pole	8						
Power consumption	4W						
Noise	40dB						
Coil temperature rise	60K						
Speed	2.5/3	4.3/5.1	..5/6.	10/12	16.6/20	30/36	50/60
Torque(kgf.cm)	6	4	3	1.5	0.8	0.6	0.3
Moving Orientation	CW/CCW, CW, CCW						
Features	Small bulk, high speed, powerful starting control, nice aspect etc.						