

□ 80mm sq(3.15in. sq)  
D825-30A(12V) / D825-30B(24V) / D825-30F(90V)

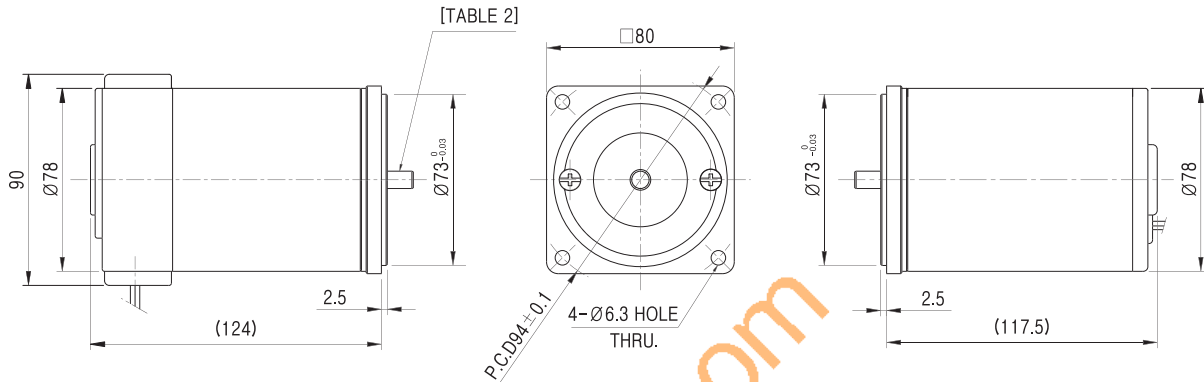


**Standard Features**

- Adjustable speed and starting torque
- Replaceable brushes
- Different voltage and speed ratings available
- Models with accessory shaft for mounting a brake, encoder or double ended motor shaft
- Special making as per customer requirement is possible

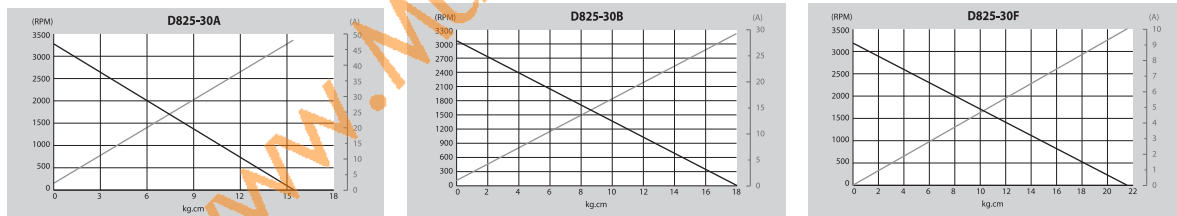


**Typical outline drawing**



DC

**Performance curve**



**Specification**

MODEL NO.	Voltage (V)	No Load			Rated Load			Stall	
		Speed (r/min)	Current (A)	Output (W)	Speed (r/min)	Torque (kgf-cm)	Current (A)	Torque (kgf-cm)	Current (A)
D825-30A	12	3300	1.8	25	3100	0.811	3.3	15.5	48
D825-30B	24	3050	0.8	25	2900	0.811	1.9	18	29
D825-30F	90	3200	0.04	25	3000	0.811	0.35	21.5	10

# Gearhead

□ 80mm  
D8HK□□□

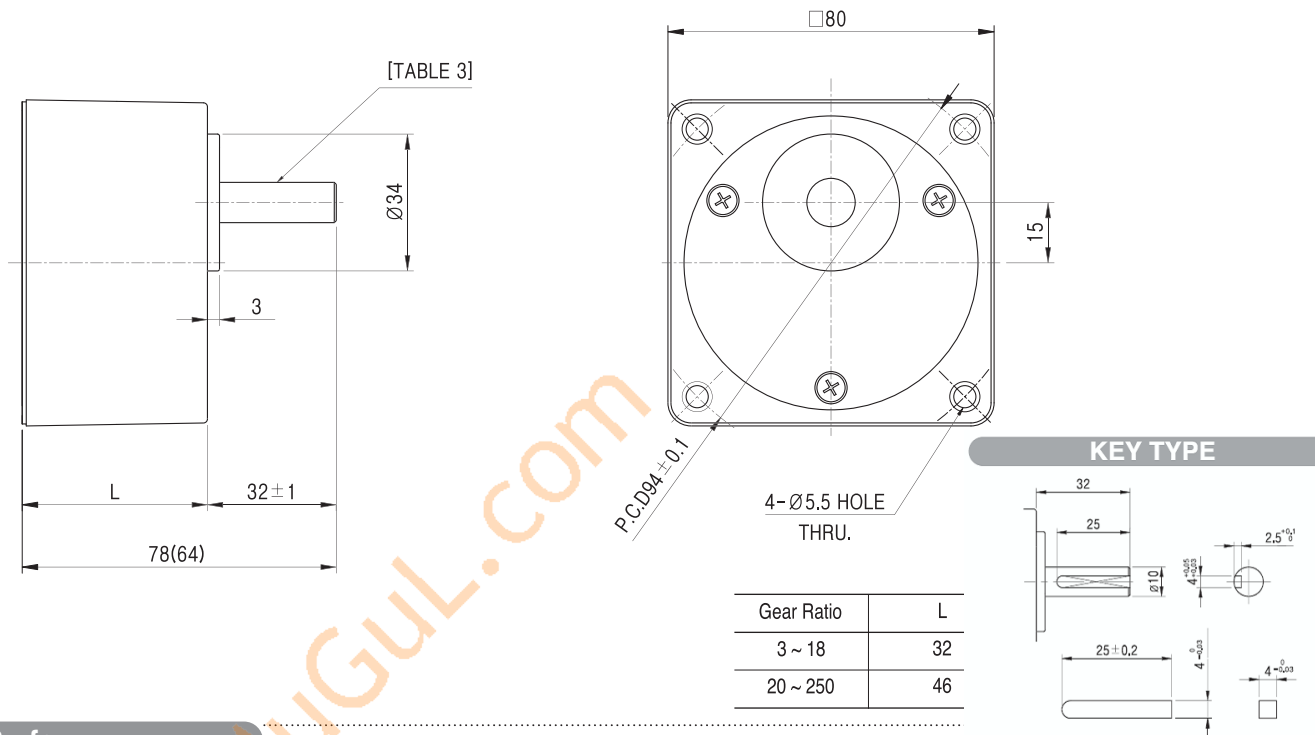


## Standard Features

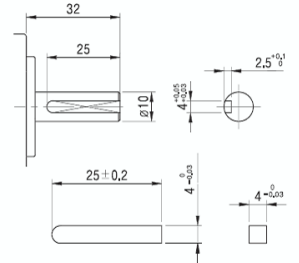
- High Precision, High Efficiency and High Reliability
- Wider varieties for gear ratios and shaft arrangements
- Special making as per customer requirement is possible



## Typical outline drawing



## KEY TYPE



## Performance curve

### PERMISSIBLE OVERHUNG LOAD AND PERMISSIBLE THRUST LOAD

Model	Gear Ratio	Permissible overhung load kgf	Permissible thrust load kgf
D6HK□ D6HD□ D6HS□	3 ~ 18	6	3
	20 ~ 250	15	

### Maximum permissible torque

UNIT=kgf · cm

Gear Ratio	3	3.6	5	6	7.5	9	10	12.5	15	18	20	25	30
D610-30□	6.8	8.2	11.4	13.7	17.1	20.5	22.8	28.5	30	30	30	30	30
D615-30□	11.7	14.0	19.5	23.4	29.2	30	30	30	30	30	30	30	30

Gear Ratio	36	40	50	60	75	90	100	120	150	180	200	250	
D610-30□	30	30	30	30	30	30	30	30	30	30	30	30	
D615-30□	30	30	30	30	30	30	30	30	30	30	30	30	

model: □80mm

## Rotation Direction Output shaft Gearbox

## Rotation Direction as per Gear Ratio

Gear Ratio	3	3.6	5	6	7.5	9	10	12.5	15	18	20	25	30	36	40	50	60	75	90	100	120	150	180	200	
□80mm																									

■ The same direction with motor

■ The reverse direction with motor