

□ 80mm sq(3.15in.sq)

D825-30A(12V) / D825-30B(24V)/ D825-30F(90V)

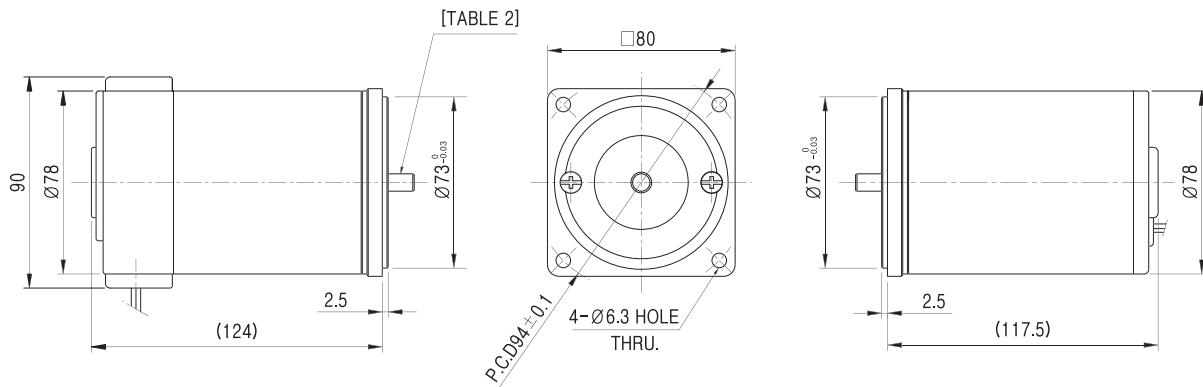


Standard Features

- Adjustable speed and high starting torque
- Replaceable brushes
- Different voltage and speed ratings available
- Models with accessory shaft for mounting a brake, encoder or double ended motor shaft
- Special making as per customer requirement is possible



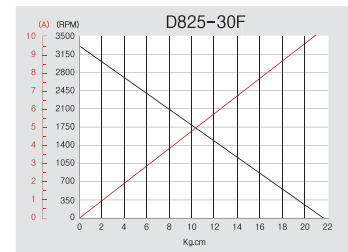
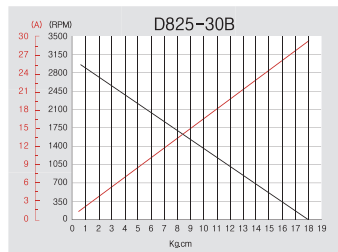
Typical outline drawing



www.MuGuL.com

DC

Performance curve



Specification

MODEL NO.	Voltage (V)	No Load			Rated Load			Stall	
		Speed (r/min)	current (A)	Output (W)	Speed (r/min)	Torque (kgf-cm)	Current (A)	Torque (kgf-cm)	Current (A)
D825-30A	12	3300	1.8	25	3100	0.811	3.3	15.5	48
D825-30B	24	3050	0.8	25	2900	0.811	1.9	18	29
D825-30F	90	3200	0.04	25	3000	0.811	0.35	21.5	10

□80mm
D8HK□□□

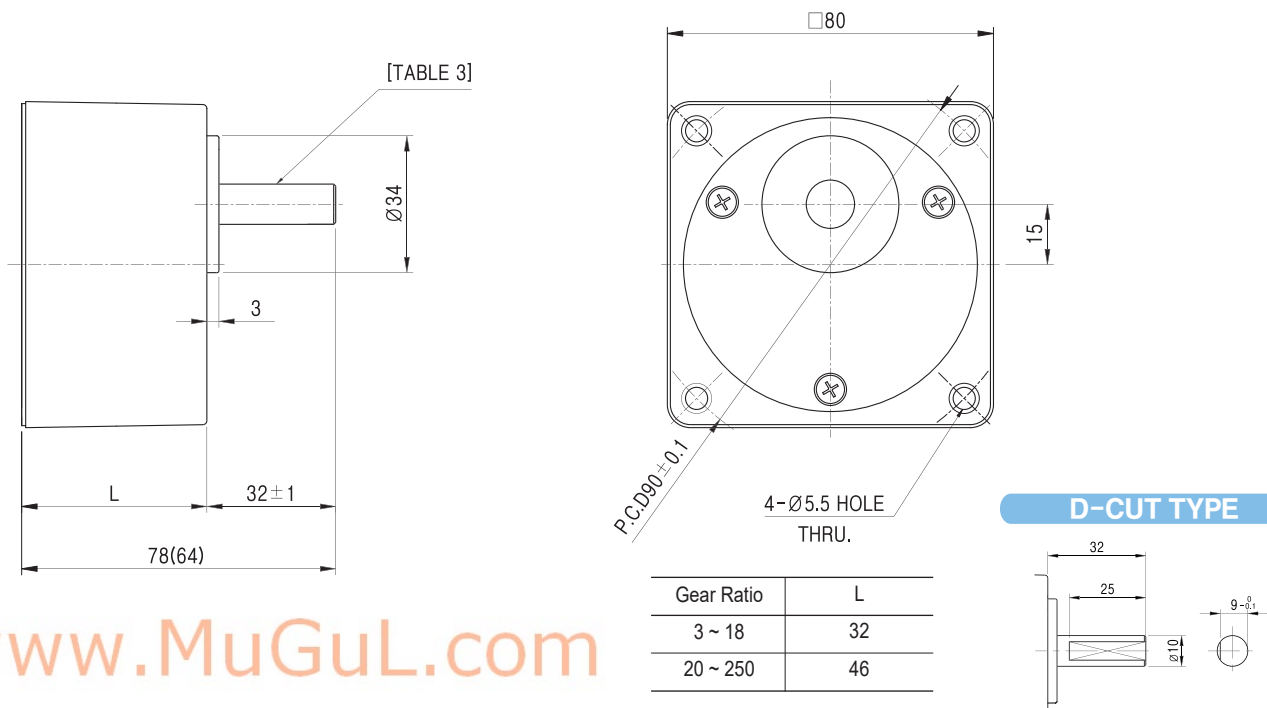


Standard Features

- High Precision, High Efficiency and High Reliability
- Wider varieties for gear ratios and shaft arrangements
- Special making as per customer requirement is possible



Typical outline drawing



www.MuGuL.com

Specification

PERMISSIBLE OVERHUNG LOAD AND PERMISSIBLE THRUST LOAD

Model	Gear Ratio	Permissible overhung load kgf	Permissible thrust load kgf
D8HK □ D8HD □ D8HS □	3 ~ 18	12	5
	20 ~ 200	24	

Maximum permissible torque

UNIT=kgf · cm

Gear Ratio	3	3.6	5	6	7.5	9	10	12.5	15	18	20	25
Model												
D825-30 □	51.3	61.6	80	80	80	80	80	80	80	80	80	80
D840-30 □	65.6	78.7	80	80	80	80	80	80	80	80	80	80

Gear Ratio	30	36	40	50	60	75	90	100	120	150	180	200
Model												
D825-30 □	80	80	80	80	80	80	80	80	80	80	80	80
D840-30 □	80	80	80	80	80	80	80	80	80	80	80	80

Rotation Direction Output shaft in Gearbox

Rotation Direction as per Gear Ratio

Gear Ratio	3	3.6	5	6	7.5	9	10	12.5	15	18	20	25	30	36	40	50	60	75	90	100	120	150	180	200
Model																								
□80mm																								

■ The same direction with motor ■ The reverse direction with motor