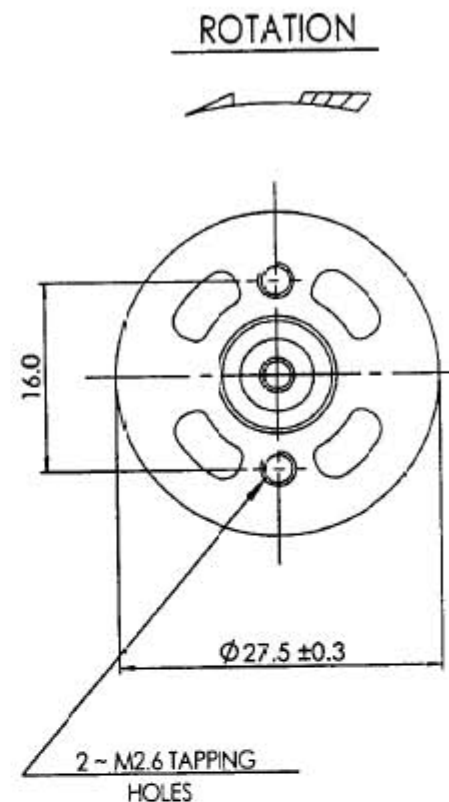


DIRECT PRINT MOTOR CODE & DATE CODE ONTO REAR HOUSING,
DATE CODE FORMAT REFER TO ESDC-038.



NOTES:-

1. LENGTH OF SHAFT, DIM. "A" 62.0 mm..
2. FRONT EXTENSION, DIM. "B" 21.0 mm., MEASURED WITH SHAFT PUSHED AGAINST PLASTIC END CAP.
3. DIRECTION OF ROTATION : ANTI-CLOCKWISE WHEN VIEWING MOTOR OUTPUT END WITH POSITIVE VOLTAGE APPLIED TO POSITIVE TERMINAL.
4. END PLAY : 0.50 mm. MAX..
5. MAX. MALE SCREW LENGTH ENGAGED INTO MOTOR HOUSING TO BE 3.0 mm.

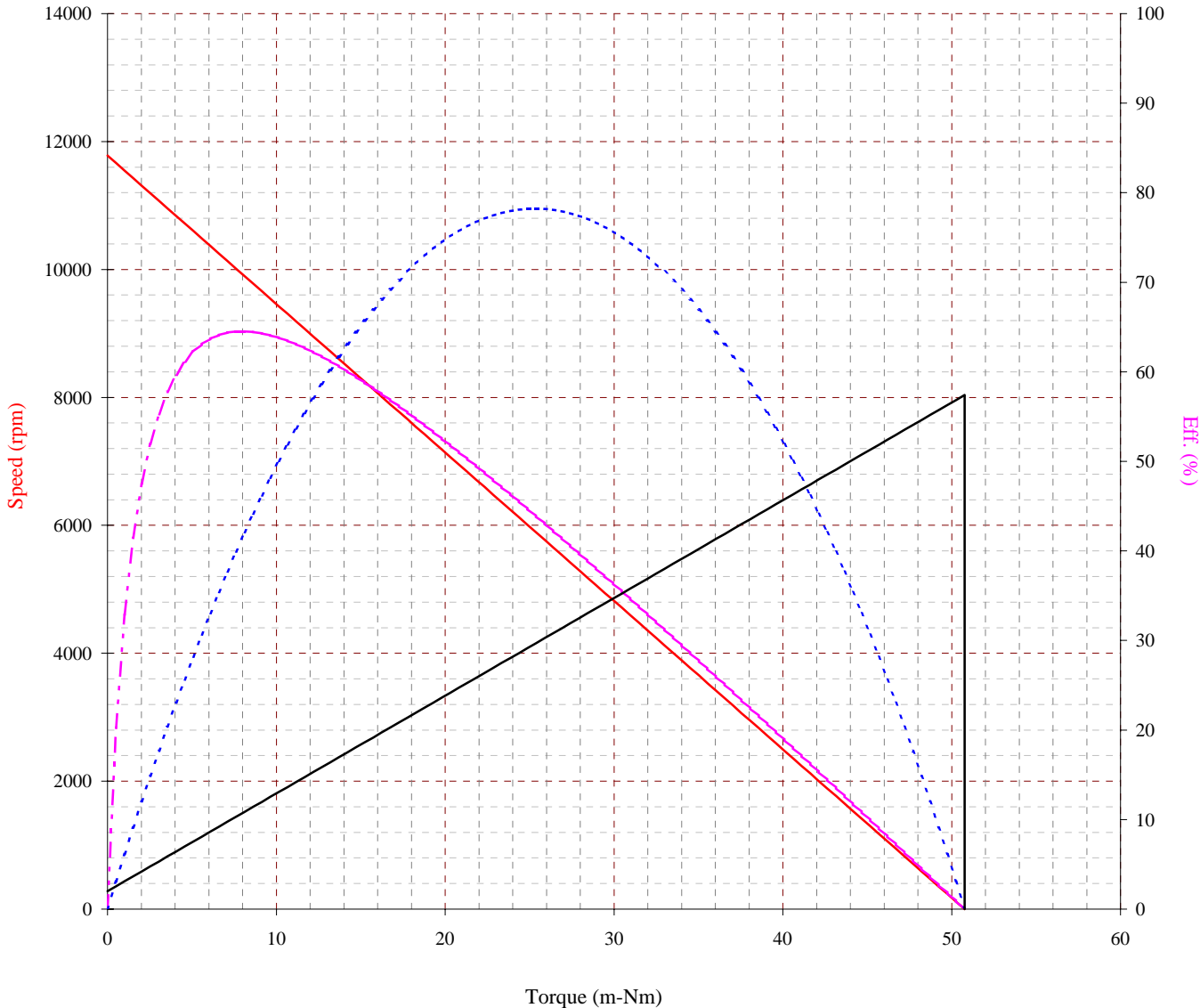
JOHNSON ELECTRIC GROUP OF COMPANIES ("JOHNSON ELECTRIC")
 This document is the property of Johnson Electric and the information contained herein is confidential. No reproduction or other use of this document is permitted without the express written consent of Johnson Electric. All products and services are provided directly or indirectly from this document are proprietary to Johnson Electric. Copyright Johnson Electric S.A. 2001. All rights reserved.

Project No : Production Motor
Curve No : HC315MG-30016

Winding : 0.23 - 60

Date : 04/27/1999
Model :

Full Scales :
10.00 Amp
20.00 Watts



Motor tested rapidly to prevent significant temperature rise.

At a constant voltage of **12.00** Volts
with a circuit resistance **0.000** Ohm

(At the ambient temperature of 25~30 deg C)

At No Load

Speed : 11781 Rpm
Current : 0.200 Amp

At Stall (Extrapolated)

Torque : 50.76 m-Nm
Current : 5.74 Amp

At Maximum Efficiency

Efficiency : 64.52 %
Torque : 8.12 m-Nm
Speed : 9896 Rpm
Current : 1.09 Amp
Output : 8.41 Watts

At Maximum Power

Torque : 25.38 m-Nm
Speed : 5891 Rpm
Current : 2.97 Amp
Output : 15.65 Watts

Characteristics

Torque Constant : 9.1630 m-Nm/Amp
Dy. Resistance : 2.0910 Ohms
Motor Regulation : 232.0780 Rpm/m-Nm

COMPUTER PRINT-OUT
NOMINAL MOTOR CURVES.
Performance and characteristics are measured based on limited motor samples only.

Reference no : 26308