



INDUCTION MOTORS

Frame size 61mm sq. (2.4 in.sq.)

Single-Phase

6W (1/124 HP)

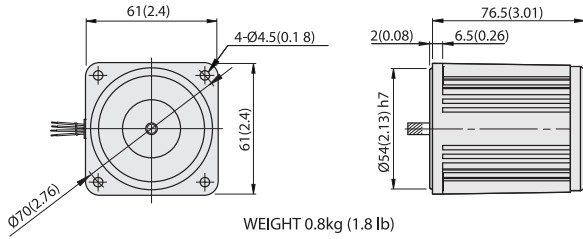
LEAD WIRE TYPE

DIMENSIONS

SPEED-TORQUE CURVE

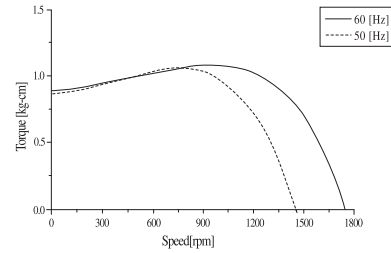
Unit : mm(inch)

E616P□L



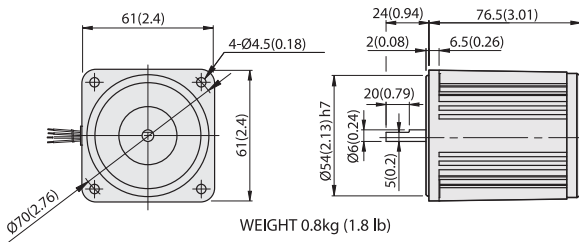
WEIGHT 0.8kg (1.8 lb)

Single phase E616□□



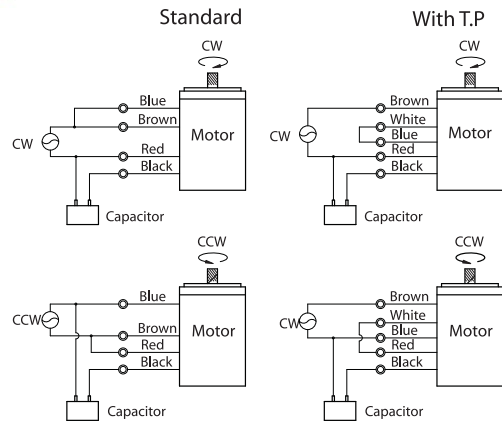
www.MuGuL.com

E616D□

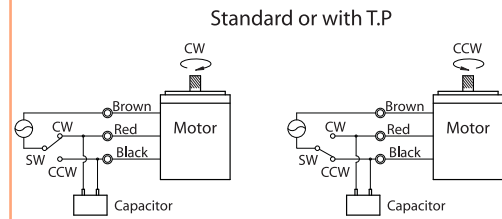


WEIGHT 0.8kg (1.8 lb)

CONNECTION DIAGRAMS (4-lead wire type)



CONNECTION DIAGRAMS (3-lead wire type)



The direction of rotation is seen from the end of motor shaft.

SPECIFICATIONS

CONTINUOUS DUTY, INSULATION CLASS A or E, 4POLES

Model	Output		Voltage (V)	Frequency (Hz)	Rated						Starting Torque			Capacitor (μF)
	(HP)	(W)			Input (W)	Current (A)	Torque (kg-cm, N-m, oz-in)			Speed (rpm)	(kg-cm)	(N-m)	(oz-in)	
E616□C	1/124	6	1 Ø 100	50	23	0.22	0.47	0.046	6.53	1250	0.46	0.045	6.39	3
				60	23	0.2	0.38	0.037	5.28	1550	0.46	0.045	6.39	
E616□D	1/124	6	1 Ø 200	50	23	0.11	0.47	0.046	6.53	1250	0.46	0.045	6.39	0.8
				60	23	0.11	0.38	0.037	5.28	1550	0.46	0.045	6.39	
E616□B	1/124	6	1 Ø 220	60	30	0.12	0.38	0.037	5.28	1550	0.47	0.046	6.53	0.7
E616□E	1/124	6	1 Ø 115	60	30	0.22	0.38	0.037	5.28	1550	0.45	0.044	6.25	2.5
E616□X	1/124	6	1 Ø 220~240	50	30	0.12	0.47	0.046	6.53	1250	0.45	0.044	6.25	0.7

* Model in grey screen represents the motors with IMPEDANCE PROTECTED according to UL regulation.
 * Model in dark grey screen represents the motors with IMPEDANCE PROTECTED according to CE regulation.
 * In case of some models certificated for export, the special cord like CE or UL is added after the existing model no. ex) E91601 DXH-CE, E91601 IEH-UL.
 * Insulation class for motors which acquired certificates for export is B.



GEARHEADS

Frame size 61mm sq. (2.4 in.sq.)

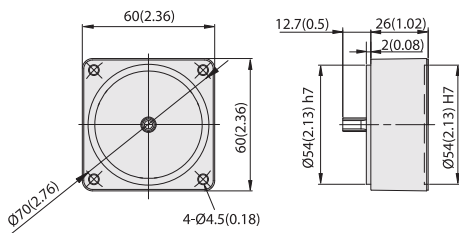
METAL TYPE & BALL BEARING TYPE

DIMENSIONS

Unit : mm(inch)

DECIMAL GEARHEAD

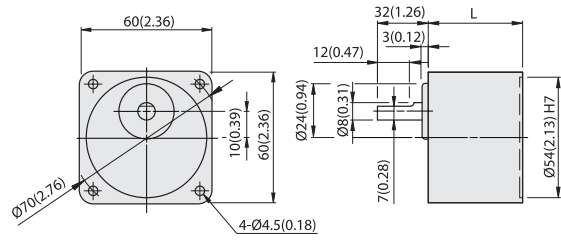
E6G10D



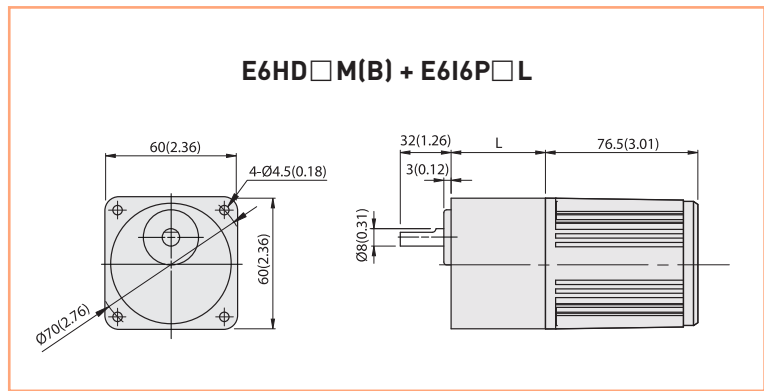
WEIGHT 0.2kg(0.44 lb)

GEARHEAD

E6HD□M(B)



GEAR RATIO	L		WEIGHT		BOLT
	mm	in	kg	lb	
1/3~1/18	30	1.18	0.3	0.66	M4x50
1/20~1/200	41	1.57	0.4	0.88	M4x60



www.MuGuL.com

RATED TORQUE OF GEARHEAD

MODEL	Speed(rpm)	500	300	200	120	100	60	50	30	20	15	10	9	
		Ratio	50Hz	3	5	7.5	12.5	15	25	30	50	75	100	150
		60Hz	3.6	6	9	15	18	30	36	60	90	120	180	200
E6HD□M E6HD□B		kg-cm	1.1	1.9	2.9	4.8	5.7	8.6	10.3	15.5	23.3	30	30	30
		N-m	0.11	0.19	0.28	0.47	0.56	0.84	1.01	1.52	2.28	2.94	2.94	2.94
		oz-in	16	26	40	66	79	119	143	215	323	417	417	417

- * The normal torque is that the motor and gearhead are directly coupled.
- * Insert the denominator of reduction ratio in □ of gearhead model name.
- * Actual rotation speed is 2~15% less than synchronous speed.
- * Color indicates that the rotation of gearhead shaft is in opposite direction as output shaft of motor.