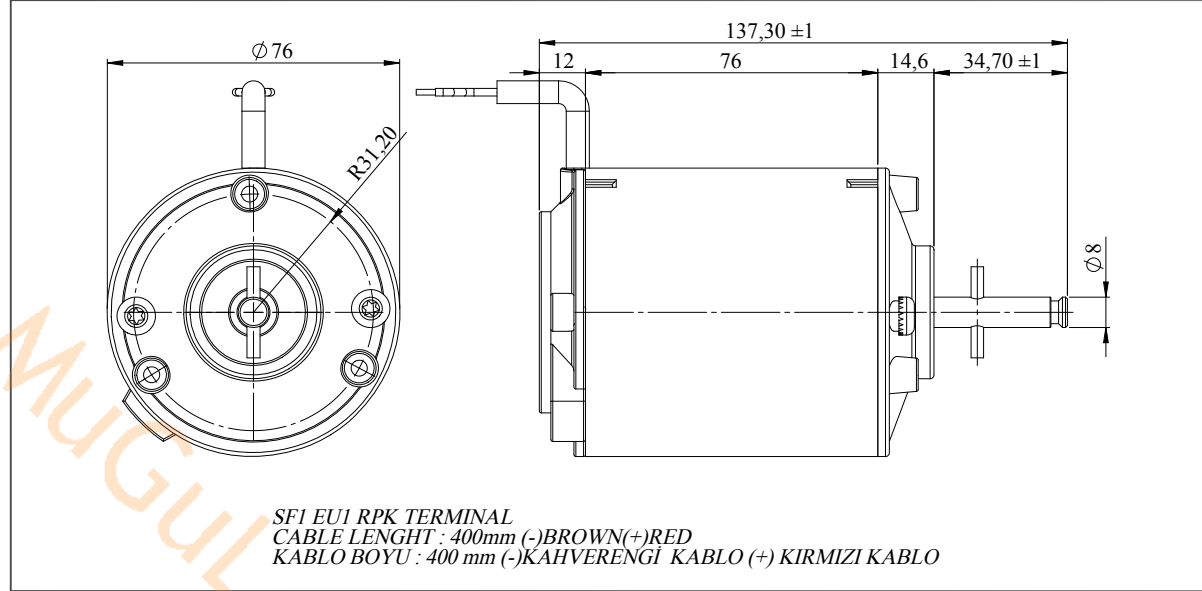


Kod - 6661 139 02 / 5 605 076 240 0012

24V, Tek Milli Fan Motoru 2900 d/d,, CCW, ø8

24V, Fan Motor With Single Shaft 2900 rpm, CCW, ø8



24V	
Part Number (Parça Kodu)	5 605 076 240 012
Nominal Voltage (Gerilim)	24V
Nominal Power (Güç)	90 Watt
Nominal Current (Akım)	3.2A
Nominal Speed (Devir)	2900 d/d (rpm)
Nominal Torque (Tork)	0.72 Nm
Direction of Rotation (Dönüş Yönü)	CCW
Type of Duty (Motor Tipi)	S 1

