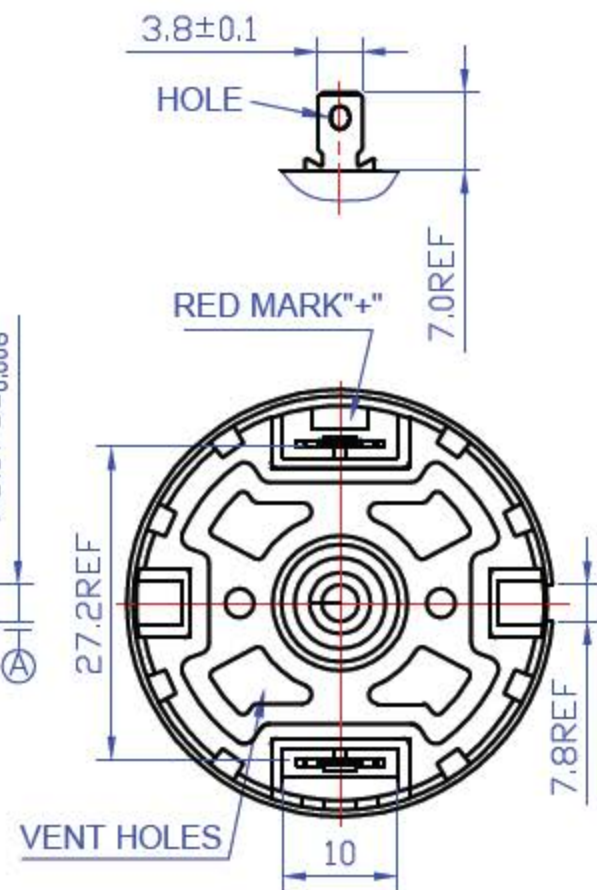
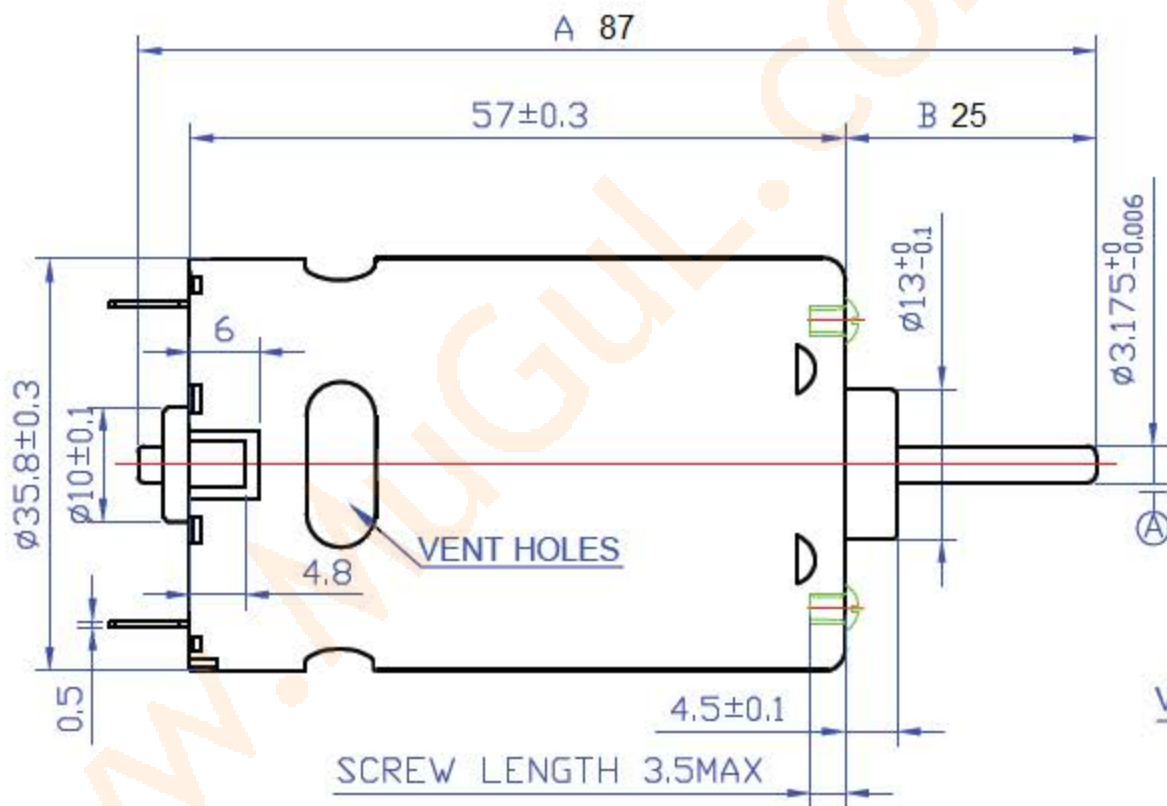
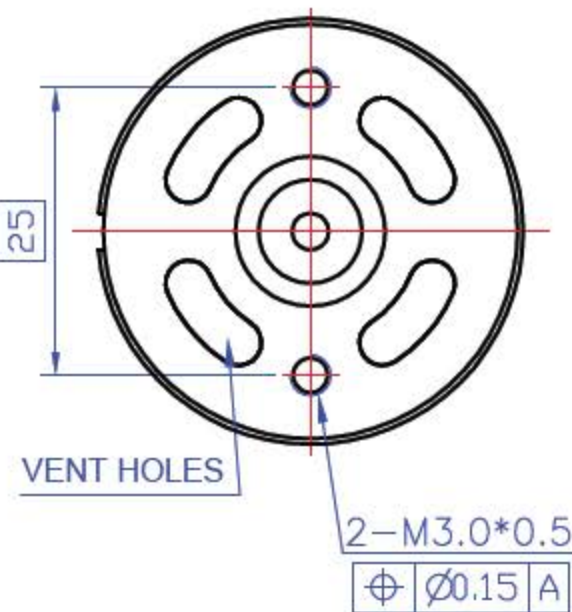


UNIT:mm

DIRECTION OF ROTATION



WEIGHT: 200g APPROX

| | | | | | |
|---------------------|----|----------|---------------------|----|----------|
| Length Of Shaft (A) | 87 | mm(±0.3) | Front Extension (B) | 25 | mm(±0.5) |
|---------------------|----|----------|---------------------|----|----------|