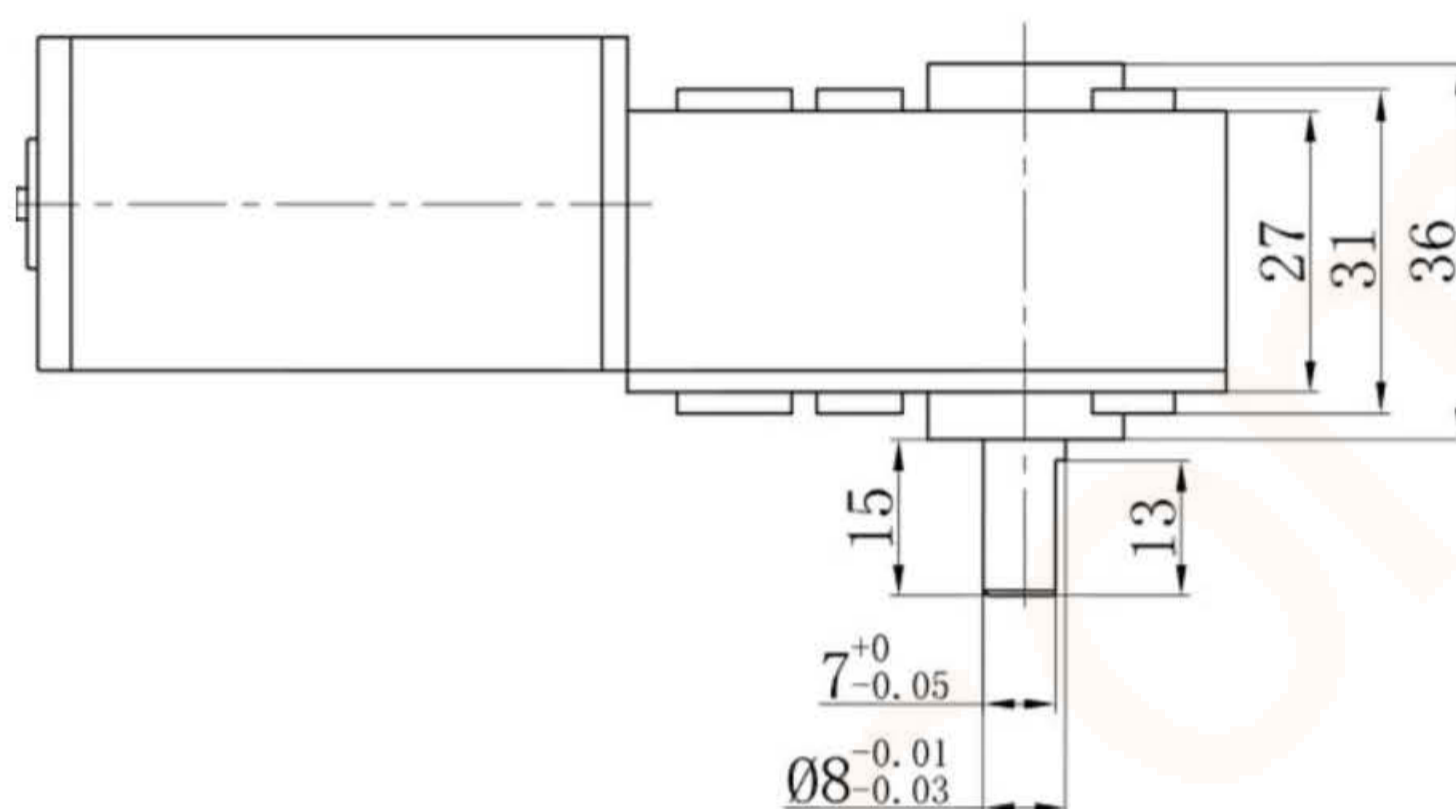
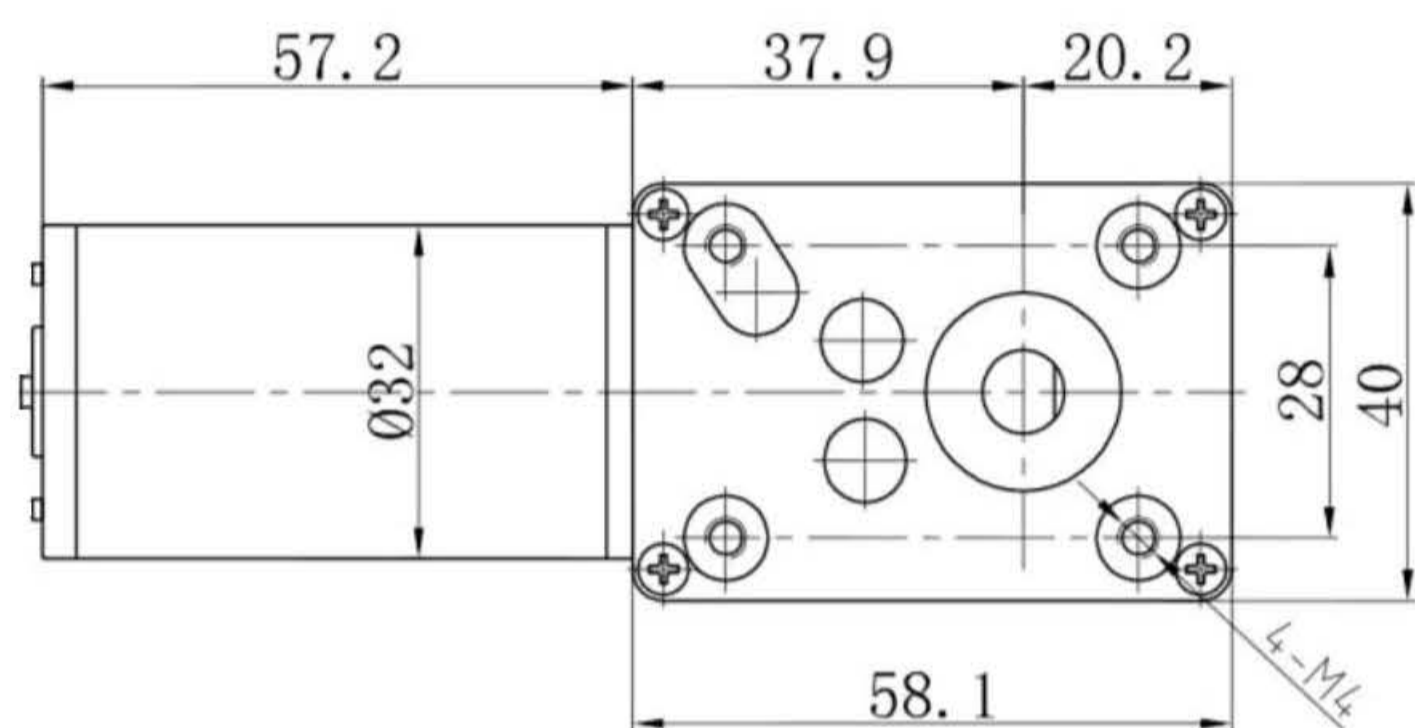


# Worm gearbox motor

## Picture of Products



## Outline Dimensions(mm)



## DC Motor Technical Data

Model	Rated Voltage (V)	No-Load Parameters		Rated Parameters					Stall Parameters	
		Speed	Current	Speed	Current	Torque	Output	eff	Torque	Current
		rpm	mA	rpm	A	mN.m	W	%	mN.m	A
3157	12	5000	210	4000	0.46	8.30	3.48	63.44	24.90	1.70
3157	24	5000	100	4000	0.22	8.40	3.52	66.63	25.20	0.84

## DC Motor With Gearbox Technical Data

### 3157-12V-5000R DC MOTOR

Reduction Ratio	27	79	213	556
Number of gear trains	3	3	3	4
Length of gearbox (MM)	58	58	58	58
No-load speed (RPM)	187	63.4	23.5	8.99
Rated speed (RPM)	149	50.7	18.8	7.19
Rated torque (N.m)	0.16	0.48	1.29	3.03
Max permissible torque (N.m)	0.49	1.43	3.87	5.00

### 3157-24V-5000R DC MOTOR

Reduction Ratio	27	79	213	556
Number of gear trains	3	3	3	4
Length of gearbox (MM)	58	58	58	58
No-load speed (RPM)	187	63.4	23.5	8.99
Rated speed (RPM)	149	50.7	18.8	7.19
Rated torque (N.m)	0.16	0.48	1.30	3.06
Max permissible torque (N.m)	0.49	1.45	3.91	5.00