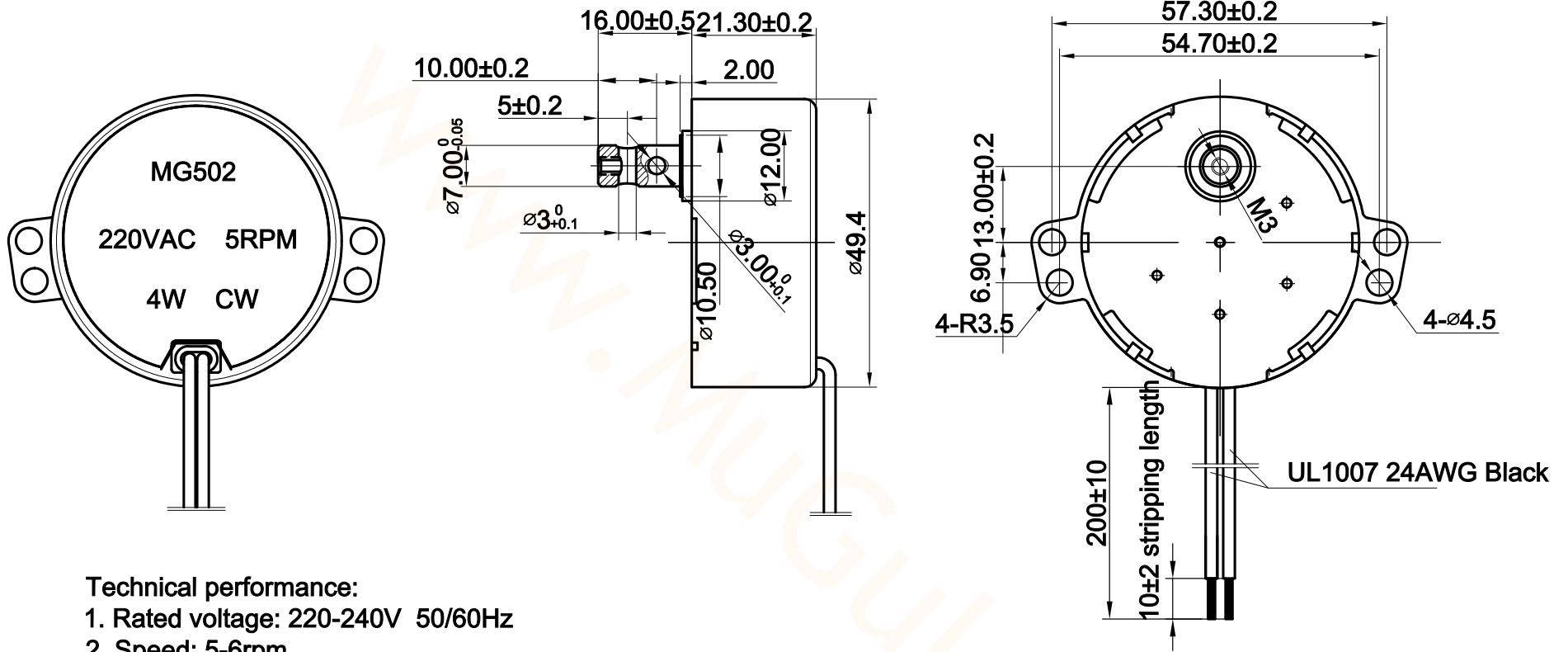


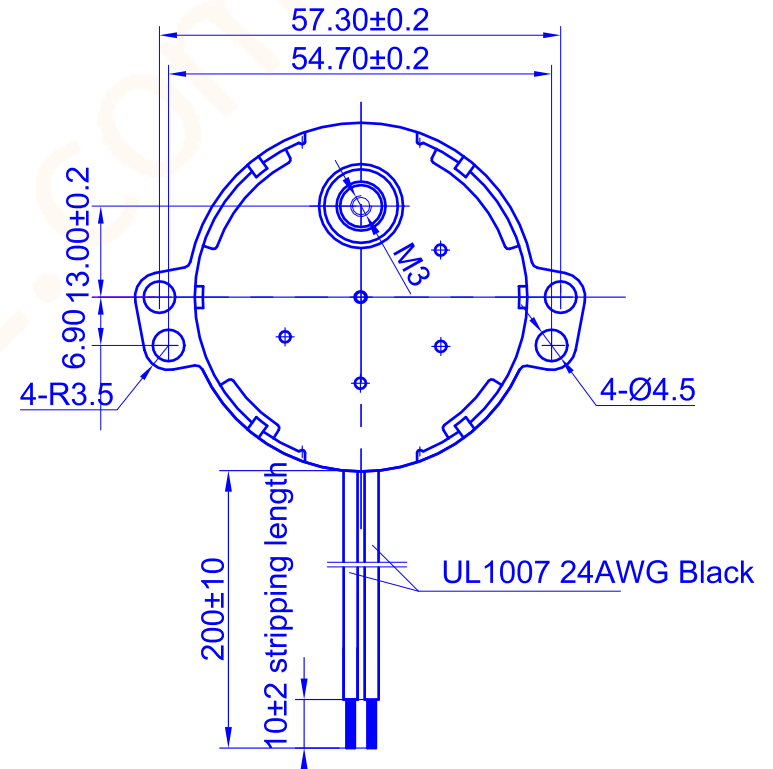
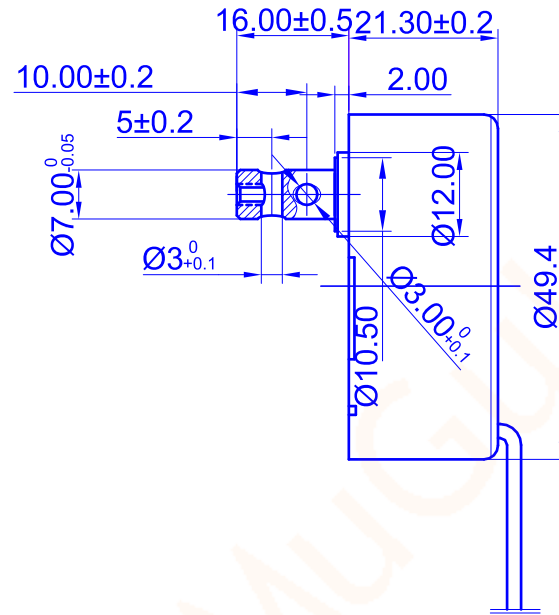
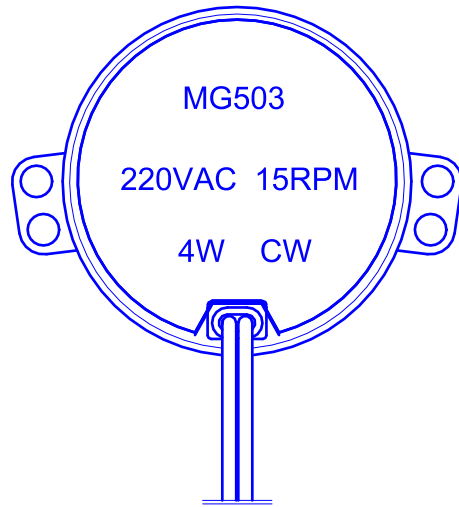
Technical performance:

1. Rated voltage: 220-240V 50/60Hz
2. Speed: 2.5-3rpm
3. Input power: 4W
4. Insulation class: E
5. Temperature rise: ≤65K
6. Torque: 7kgf.cm
7. Starting voltage: ≤187V
8. Insulation resistance: ≥100MΩ
9. Dielectric strength: 1800v/1s



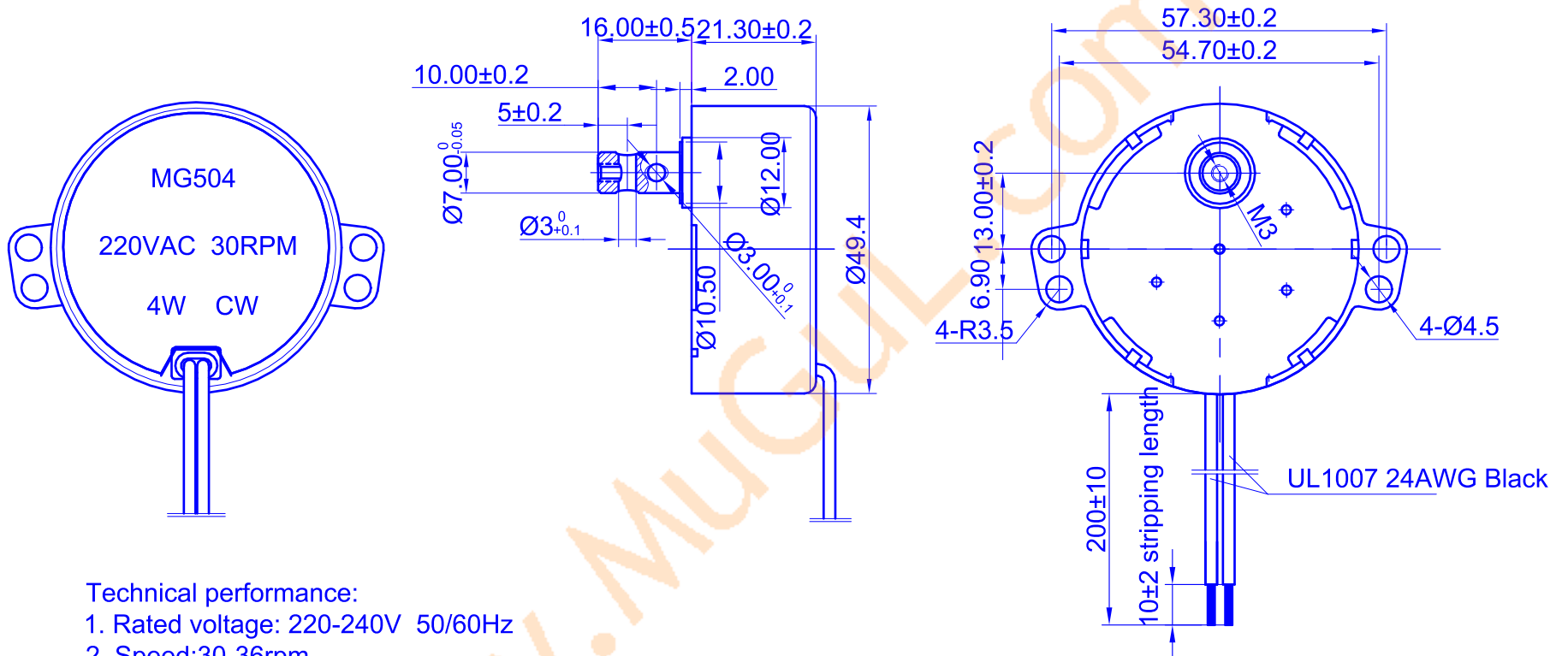
Technical performance:

1. Rated voltage: 220-240V 50/60Hz
2. Speed: 5-6rpm
3. Input power: 4W
4. Insulation class: E
5. Temperature rise: $\leq 65K$
6. Torque: 4.5kgf.cm (220V/50Hz)
7. Starting voltage: $\leq 187V$
8. Insulation resistance: $\geq 100M\Omega$
9. Dielectric strength: 1800v/1s



Technical performance:

1. Rated voltage: 220-240V 50/60Hz
2. Speed: 15-18rpm
3. Input power: 4W
4. Insulation class: E
5. Temperature rise: ≤65K
6. Torque: 1kgf.cm
7. Starting voltage: ≤187V
8. Insulation resistance: ≥100MΩ
9. Dielectric strength: 1800v/1s



Technical performance:

1. Rated voltage: 220-240V 50/60Hz
2. Speed: 30-36rpm
3. Input power: 4W
4. Insulation class: E
5. Temperature rise: ≤65K
6. Torque: 0.6kgf.cm
7. Starting voltage: ≤187V
8. Insulation resistance: ≥100MΩ
9. Dielectric strength: 1800v/1s